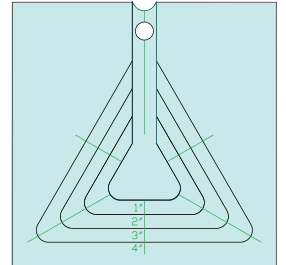


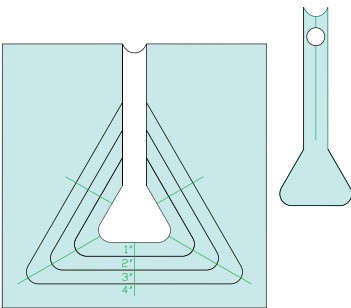
## Nested Mini Equilateral Triangle Instructions

The Nested Mini Equilateral Triangle is a multiple sized tool.  
 This tool will make equilateral triangles in the following sizes:  
 1", 2", 3", and 4"

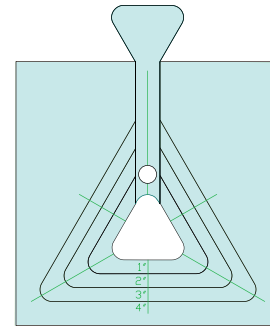
This tool was designed to create an equilateral triangle with points using a long-, mid-, or short-arm machine. It has a variety of uses beyond equilateral triangles.



### To Use the Tool

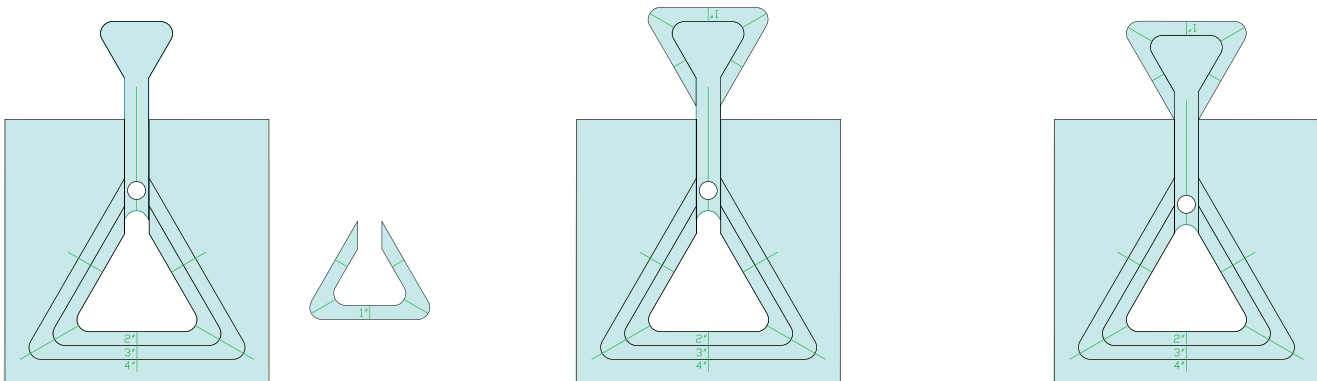


1) Remove the "wand" portion of the tool.



2) Place tool around foot. Place the "handle" of the wand in the slot and the middle triangle on the outside of the tool. The small crescent on the end of the wand should complete the third point in the triangle.

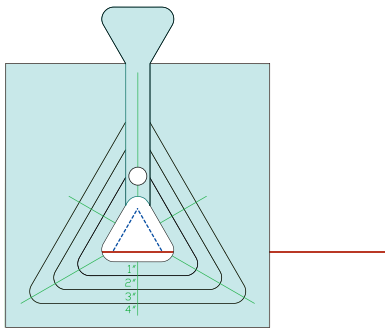
3) To use a different size, remove the pieces of the tool and place them around the middle triangle. These pieces will allow the third point to always be in the correct position.



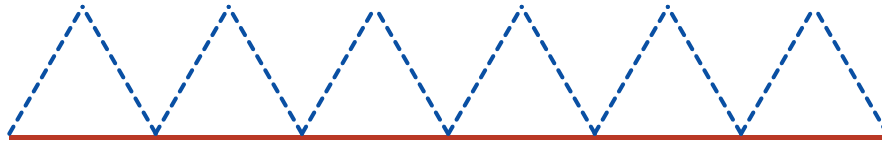
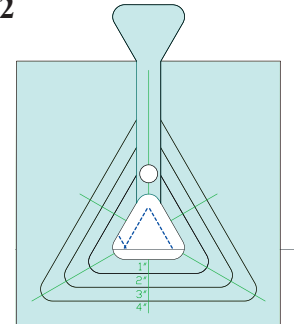
# Create an open Saw Tooth Border

- 1) Place tool with one side a 1/4" below a seam or a drawn line if you wish the points to touch the seam. Stitch up to the point and down the opposite side. Needle down.
- 2) Move tool to the right. Repeat until border is complete.

Step 1



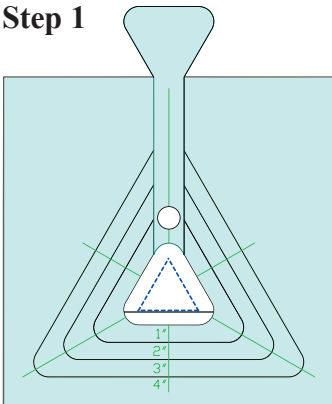
Step 2



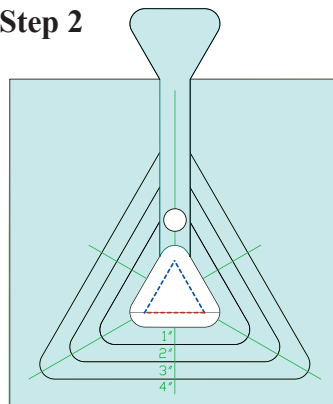
# Create a closed Saw Tooth Border

- 1) Place tool with one side a 1/4" below a seam or a drawn line if you wish the points to touch the seam. Stitch up to the point, down the opposite side, and across the bottom. Needle down.
- 2) Stitch back over the bottom line in the opposite direction (shown in red). Needle down.
- 3) Move tool to the right. Repeat until border is complete.

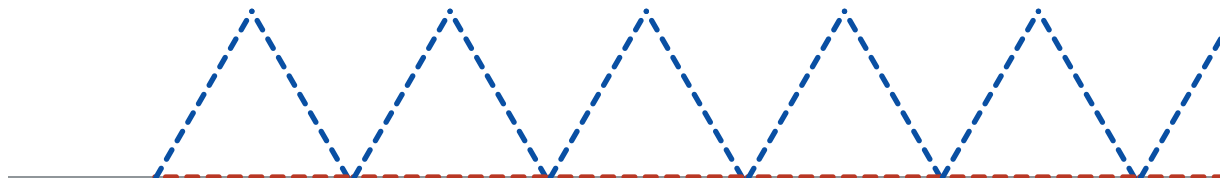
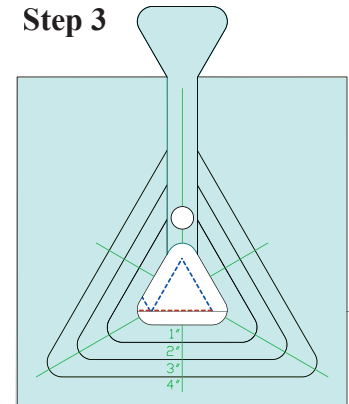
Step 1



Step 2



Step 3

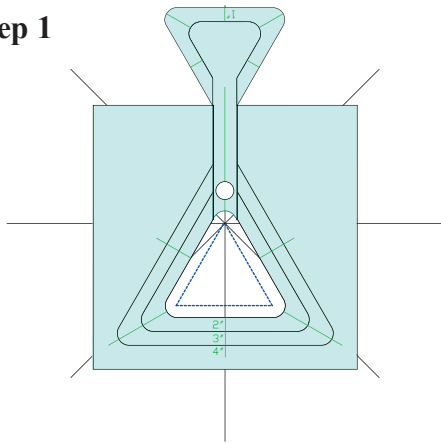


# Create a Spyrograph

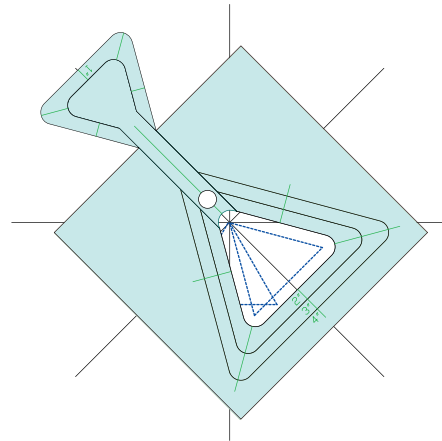
- 1) Choose a size. Place one point on the center of an eight-point grid.
- 2) Stitch completely around the triangle, stopping at the center. Needle down.
- 3) Rotate the template to the next grid line. Stitch completely around the triangle, stopping at the center. Needle down.
- 4) Repeat until all 8 points have been stitched.

Note: You will get a different look by using the center of a side as your pivot point.

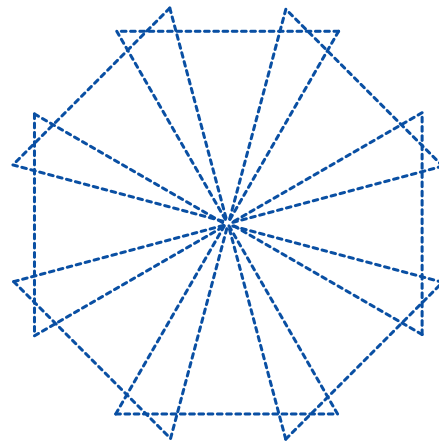
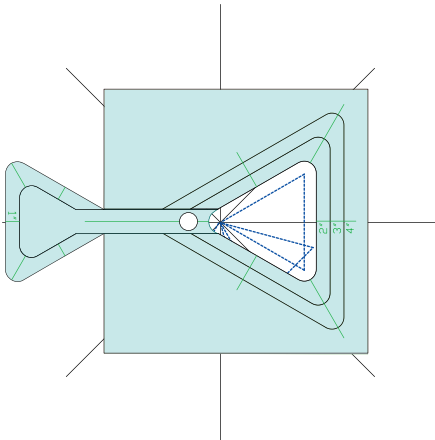
**Step 1**



**Step 2**



**Step 3**

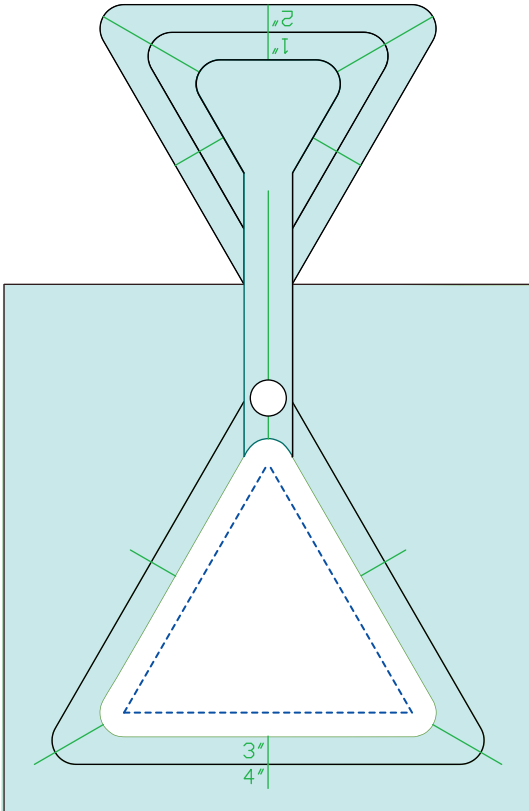


# Candy Corn

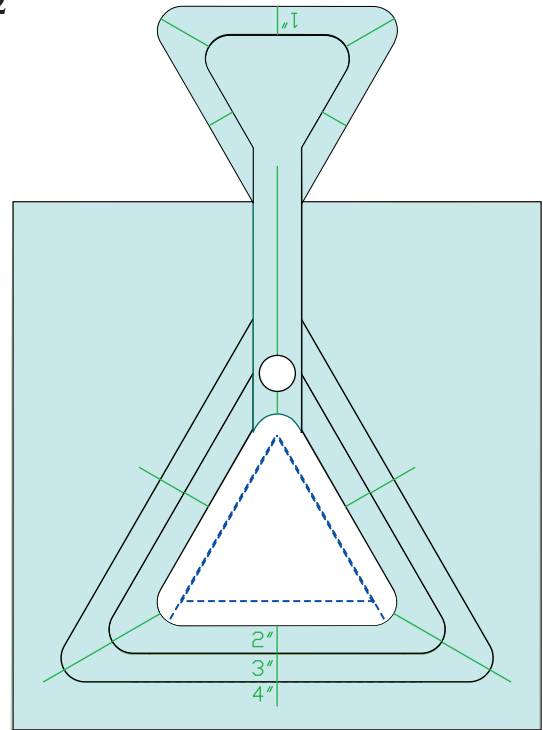
Using all three (or all four) sizes of this tool, you can create a Candy Corn look.

- 1) Place the largest size triangle you have chosen on the quilt. Starting at the top of the triangle, stitch the complete triangle, ending back at the top. Needle down.
- 2) Reset the tool for the next size of the triangle. Keeping the tool with the top of the triangle on your foot. Starting at the top of the triangle, stitch the complete triangle, ending back at the top. Needle down.
- 3) Repeat a third time (and fourth if you have chosen all four sizes).

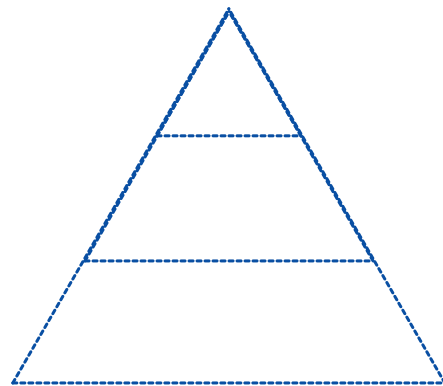
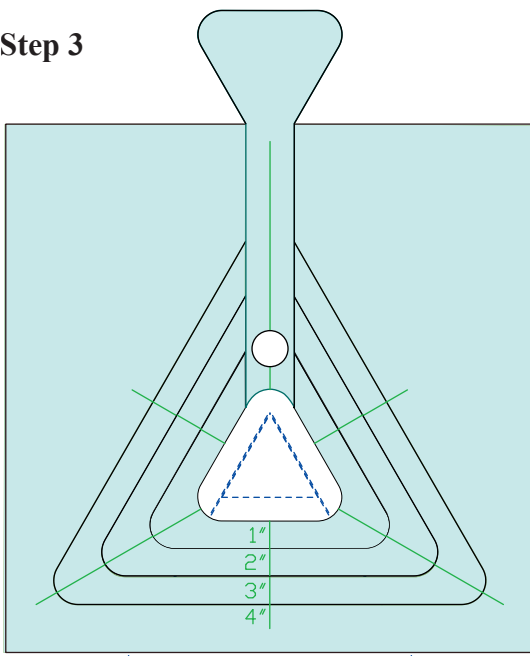
## Step 1



## Step 2

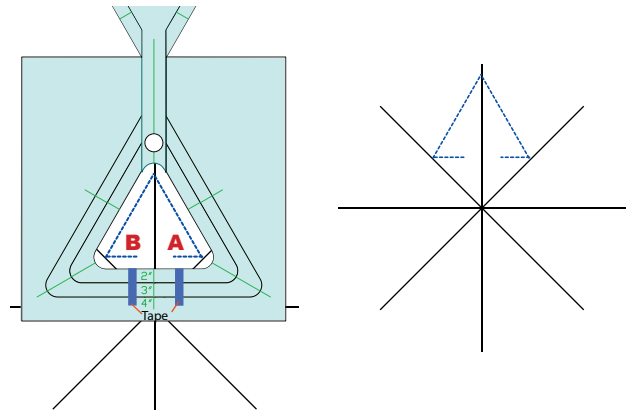


## Step 3



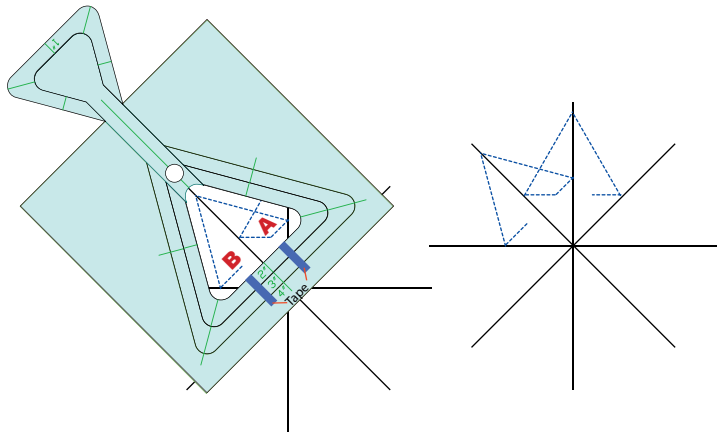
# Open Star

To complete this design, you will need an eight-point grid stenciled on your quilt or seams that are in an eight-point grid pattern. Using a piece of blue tape, mark the half way point as shown on the right.

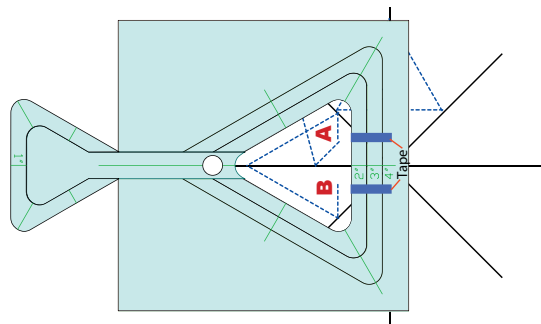


1) Position tool with the two (2) horizontal corners touching 45 degree lines and the top corner centered on a vertical line. Starting at “A” stitch around the triangle going to the top point first and stopping at “B”. Needle down.

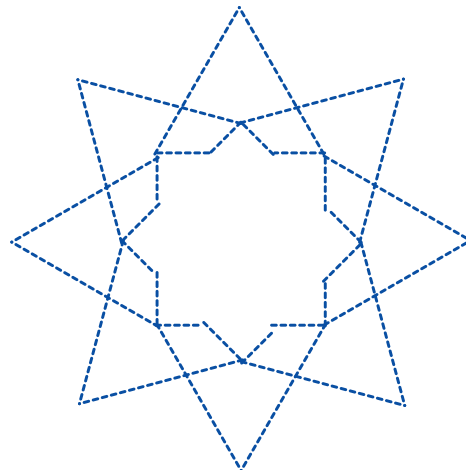
2) Move tool to the left, placing the two (2) horizontal corners touching the vertical and horizontal line and the top corner centered on a 45 degree line. Starting at “A” stitch around the triangle going to the top point first and stopping at “B”. Needle down.



3) Move tool to the left, placing the two (2) corners touching the 45 degree lines and the top corner centered on a horizontal line. Starting at “A” stitch around the triangle going to the top point first and stopping at “B”. Needle down.



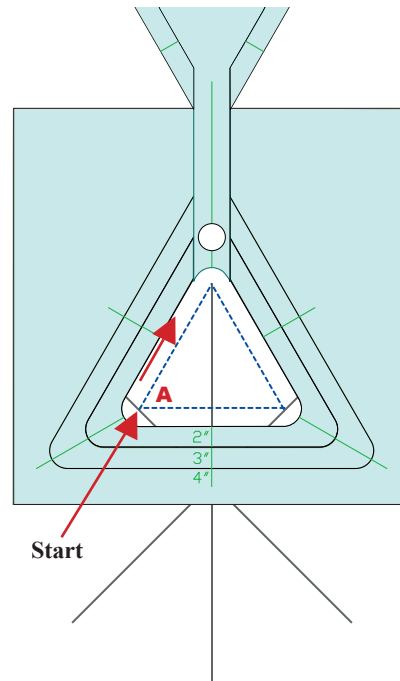
4) Continue around the grid until you complete your design.



# Closed Star

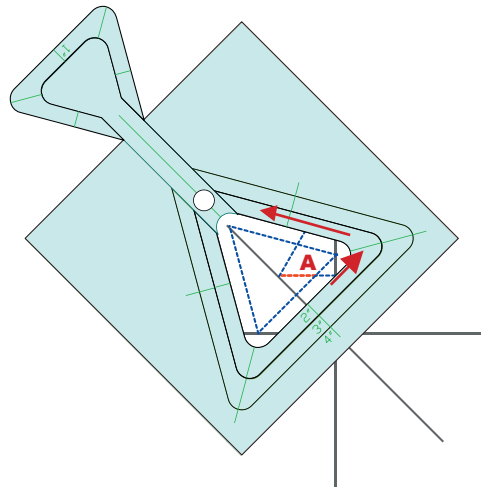
To complete this design, you will need an eight-point grid stenciled on your quilt or seams that are in an eight-point grid pattern.

1) Position tool with the two (2) horizontal corners touching 45 degree lines and the top corner centered on a vertical line. Starting at "A" stitch around the triangle going to the top point first. When you are back at "A" you will need to backtrack half way to the vertical line. Needle down.



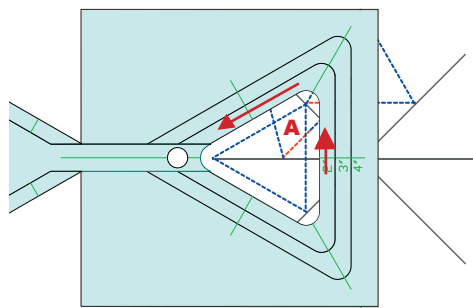
Backtracking is shown in **RED**

2) Move tool to the left, placing the two (2) horizontal corners touching the vertical and horizontal line and the top corner centered on a 45 degree line. Stitch toward the corner on the vertical line, up to the top corner, down to the corner on the horizontal line, and up to the starting point. When you meet up with the stitching already completed, backtrack to a point halfway between the 45 degree line and the horizontal line. Needle down.

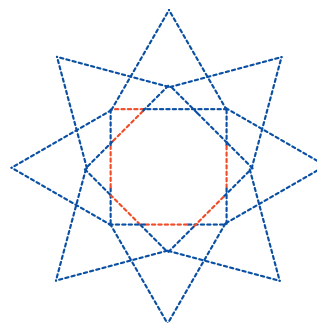


Backtracking is shown in **RED**

3) Move tool to the left, placing the two (2) corners touching the 45 degree lines and the top corner centered on a vertical line. Stitch up to the corner, over to the top corner, down to the bottom corner and back up to the starting point. When you meet up with the stitching already completed, backtrack to a point halfway between the horizontal line and the 45 degree line. Needle down.



4) Continue around the grid until you complete your design.



Completed design showing the backtracking in **red**.