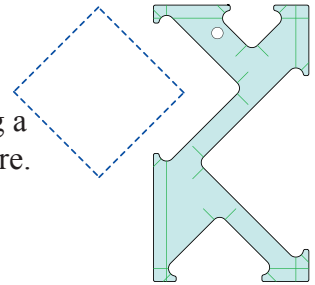


Square Chain Instructions

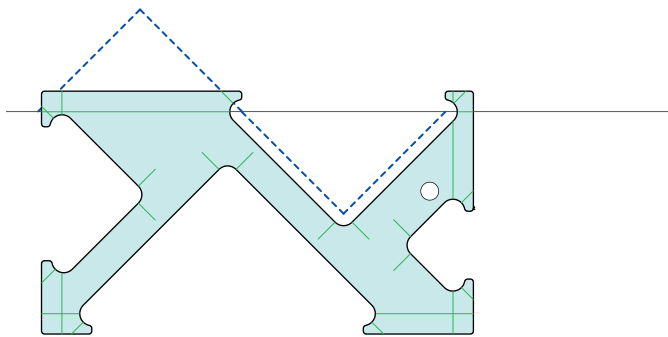
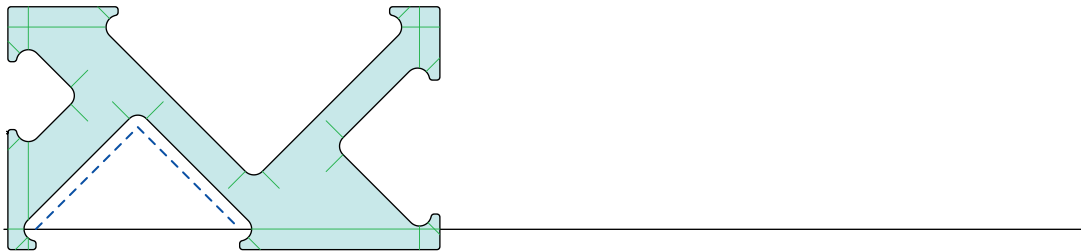
The Square Chain is a multi size tool
 Overall size: 5" x 9", 1/4" thick acrylic

This tool was designed to create a square stitched line with pointed corners using a long-, mid-, or short-arm machine. It has a variety of uses beyond a simple square.



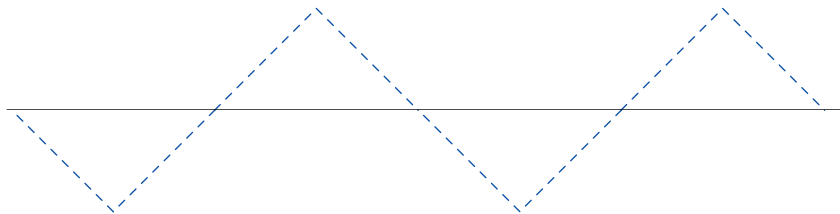
Create a Zig Zag Line

1) Using either a line drawn (or chalked) on the quilt or a seam, you can create a simple zig zag with POINTS on both edges. Use the etched lines in the tool to align the chosen opening over the seam or line. Stitch from one end of the opening to the other. Needle down.



2) Swing the tool around the foot (using the foot as a pivot point) until the etched lines are again lined up on the quilt. Stitch from one end of the opening to the other. Needle down.

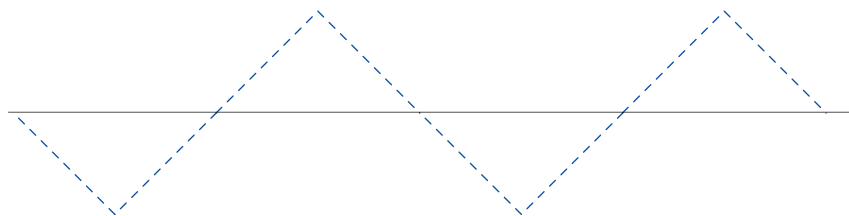
3) Repeat until Zig Zag is desired length.



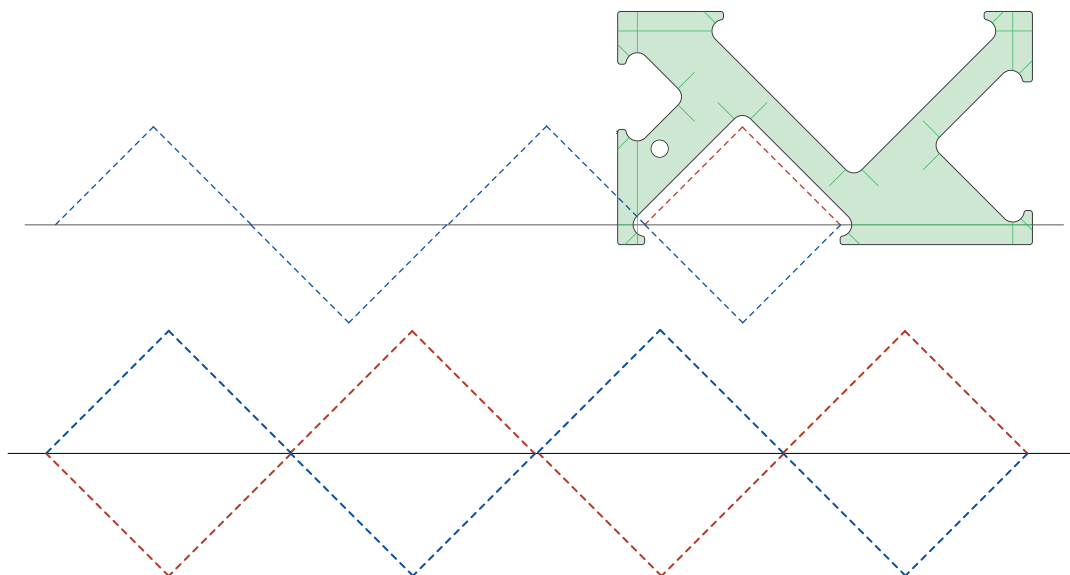
Create a Simple Square Chain

- 1) Start by creating a zig zag line.
- 2) To create a square chain, repeat the zig zag steps on the opposite side of your zig zag. (See illustration)

Step 1



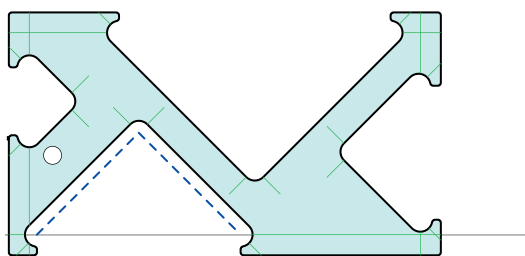
Step 2



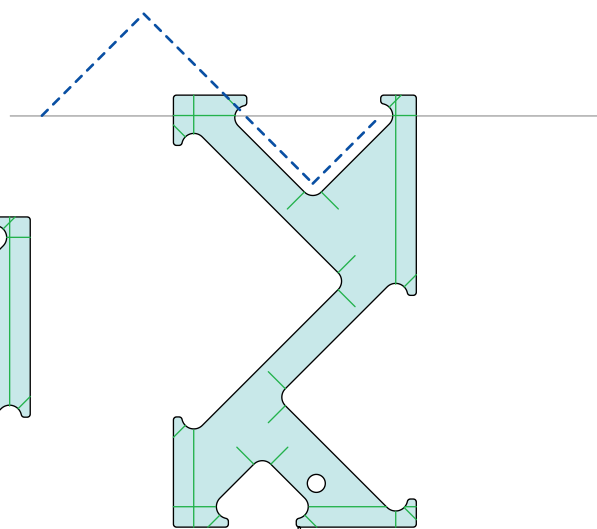
Multiple Sizes on One Chain

Use the multiple sizes of the tool to create a chain with multiple size links. (See illustration)

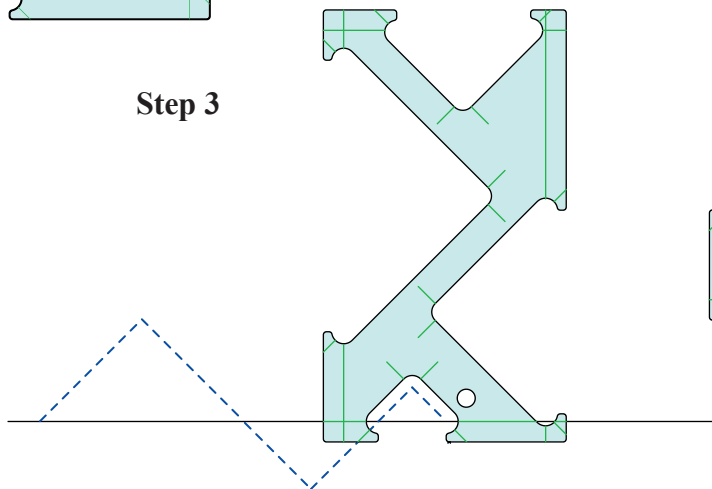
Step 1



Step 2

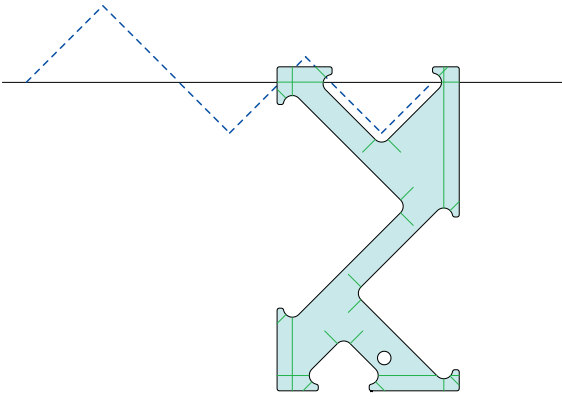


Step 3

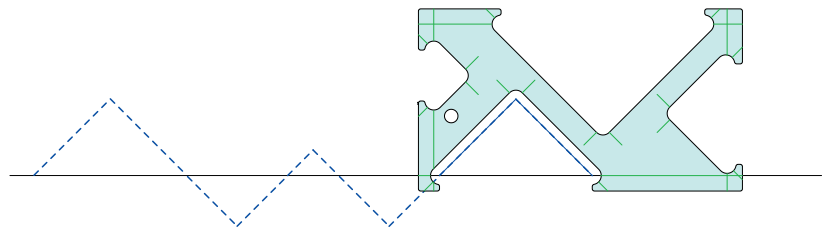


Multiple Sizes - Continued

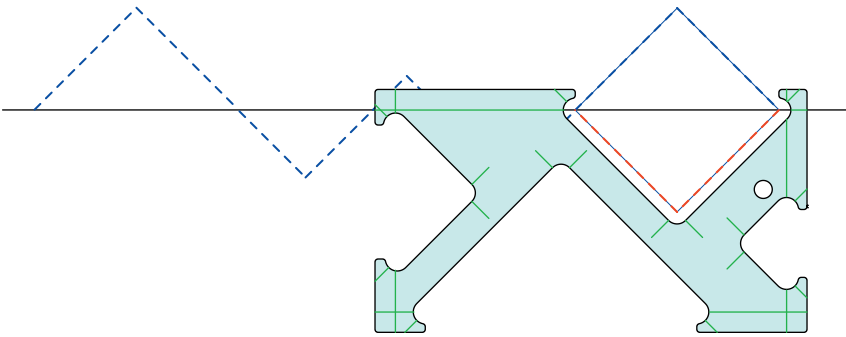
Step 4



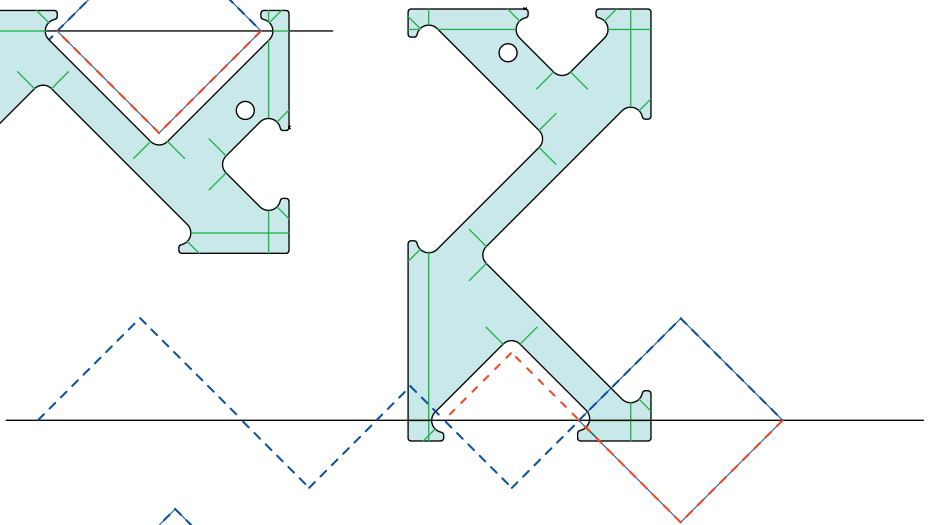
Step 5



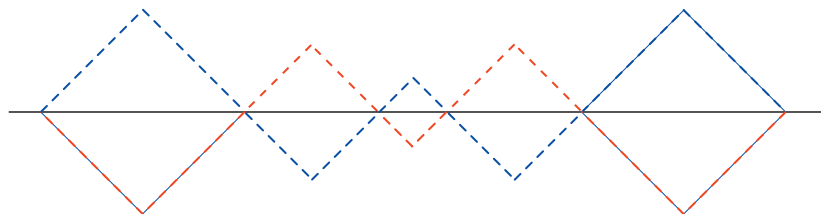
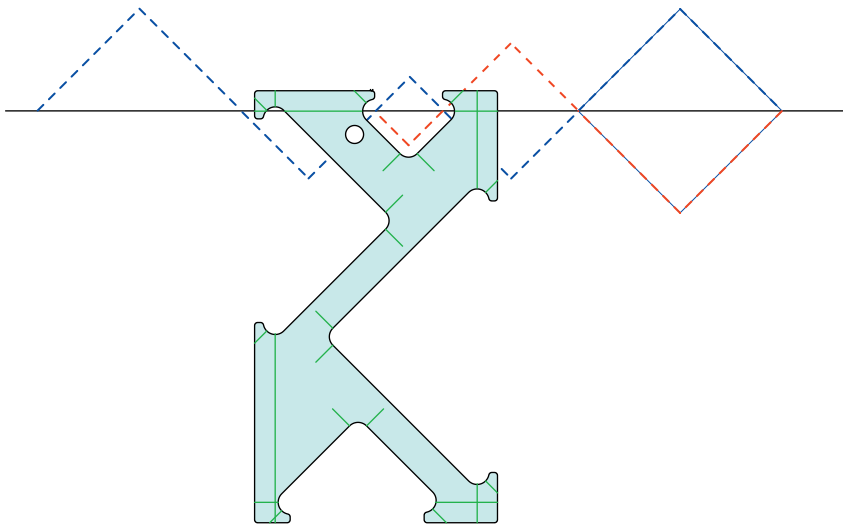
Step 6



Step 7



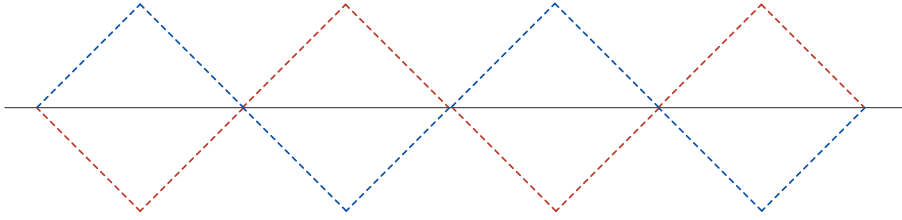
Step 8



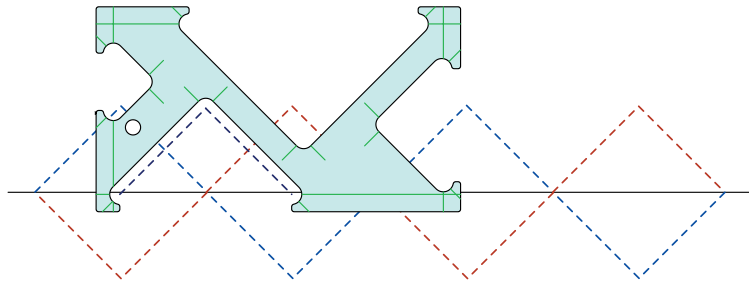
Interlocking Square Chain

Once you have completed one chain, start a second chain in the middle of the first link. (See illustrations)

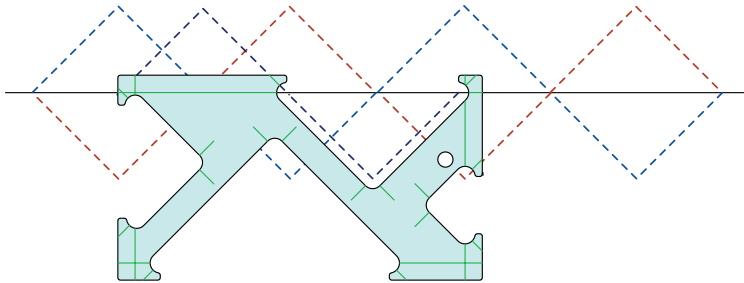
Step 1



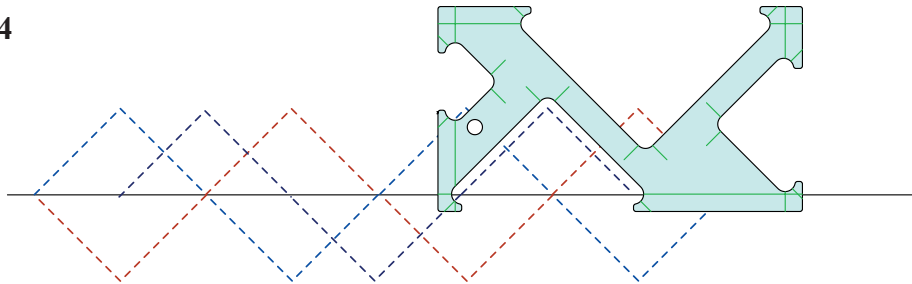
Step 2



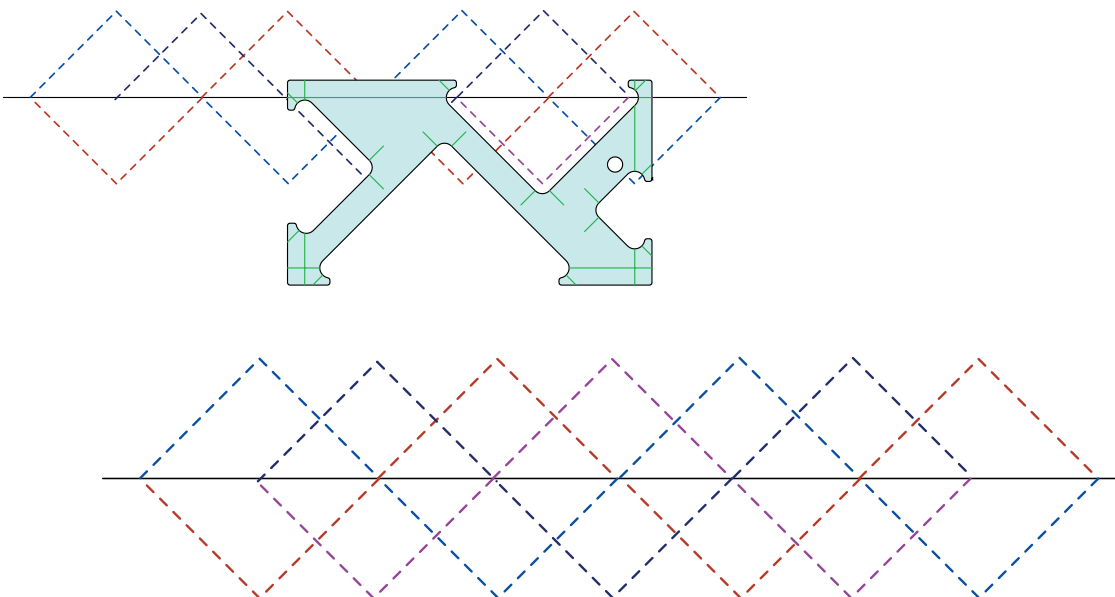
Step 3



Step 4



Step 5

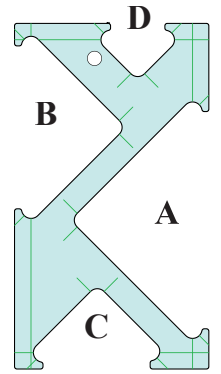


Chain Variation - Dropped Square

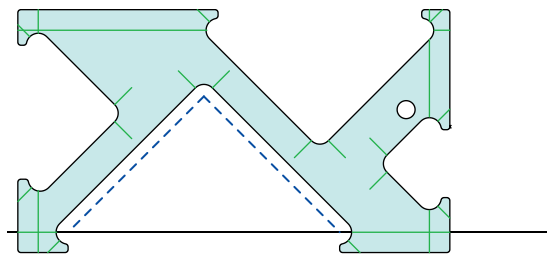
Using two different sizes, you can create a simple Dropped Square border. In the following example the two sizes chosen are the largest opening (A) and the second smallest (C).

The steps are:

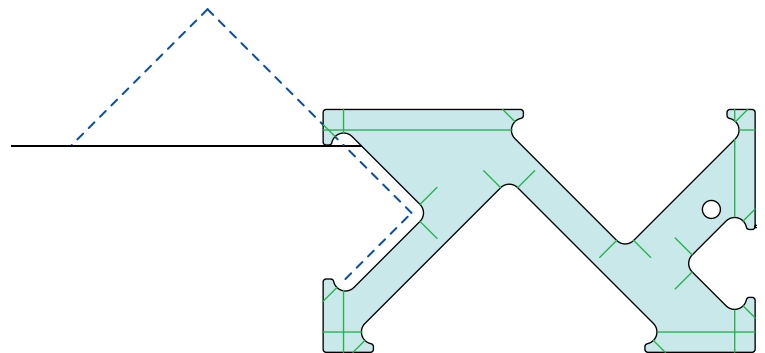
- 1) Place opening A so that you will stitch on the top part of the line. Needle down.
- 2) Place opening C at a 90 degree angle to the horizontal line so that you will stitch a square on its point below the line. Stitch the right side of the square. Needle down.
- 3) Rotate the template to complete the square. Stitch the left side of the square. Needle down.
- 4) Repeat Steps 1 - 3 until the border is the length desired.



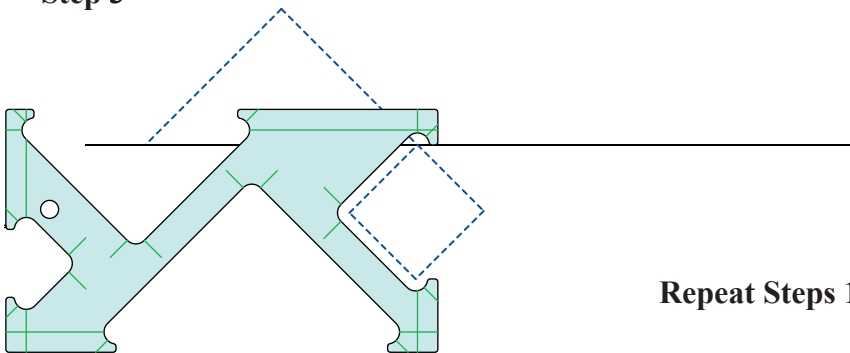
Step 1



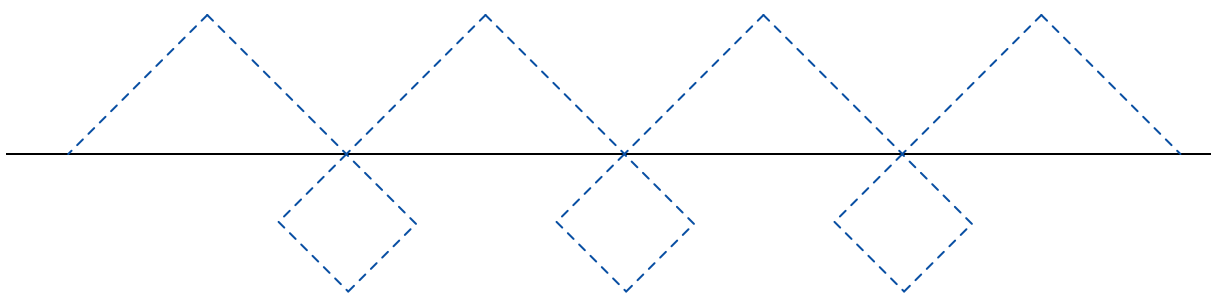
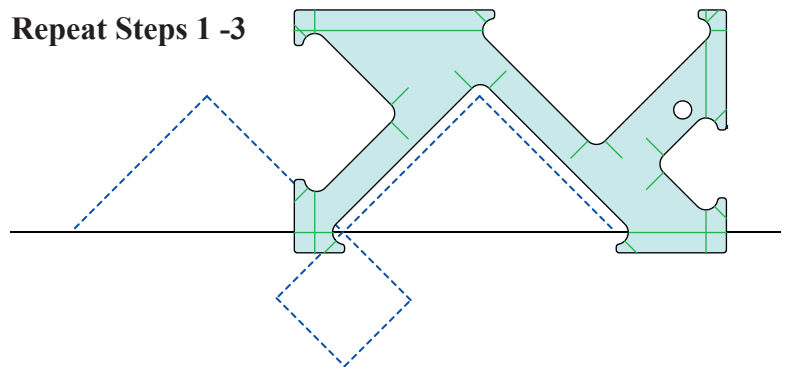
Step 2



Step 3



Repeat Steps 1 -3

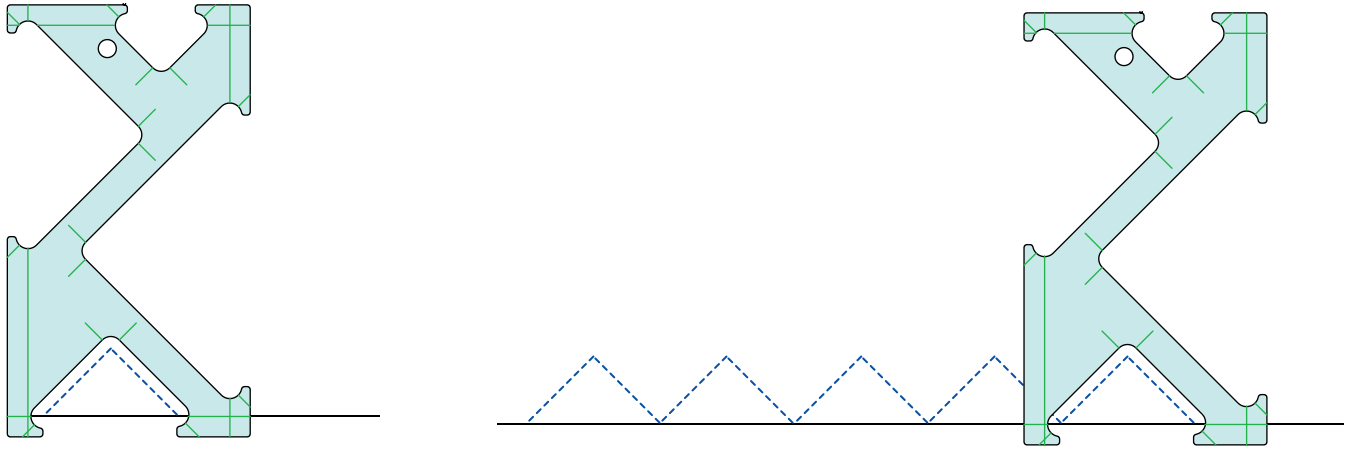


Chain Variation - Foothills

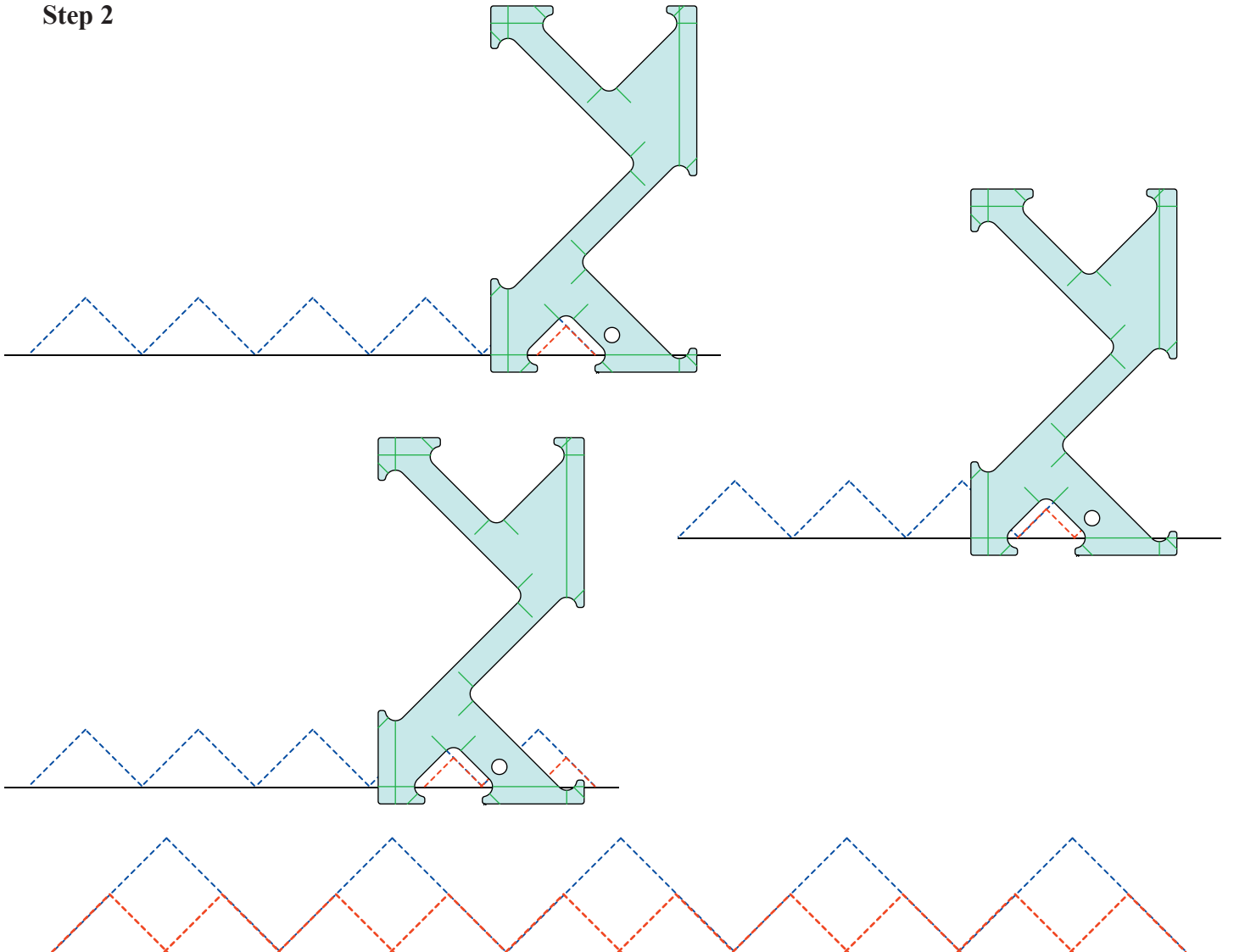
Use two different openings. Note the smaller must fit twice into the larger size. The steps are:

- 1) The larger opening all the way down the line.
- 2) The smaller opening all the way back. Two small ones should fit inside the large one.

Step 1



Step 2

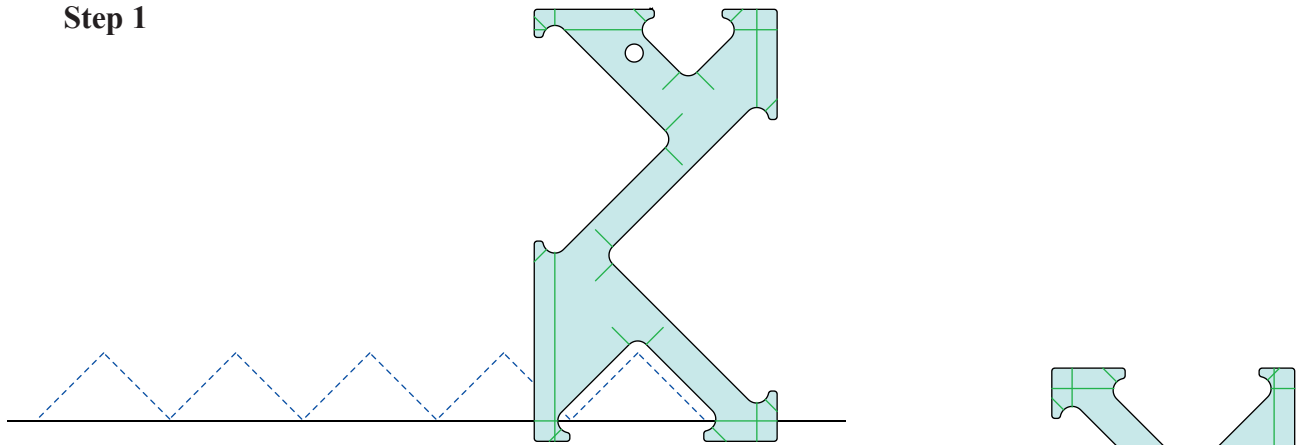


Chain Variation - Flags

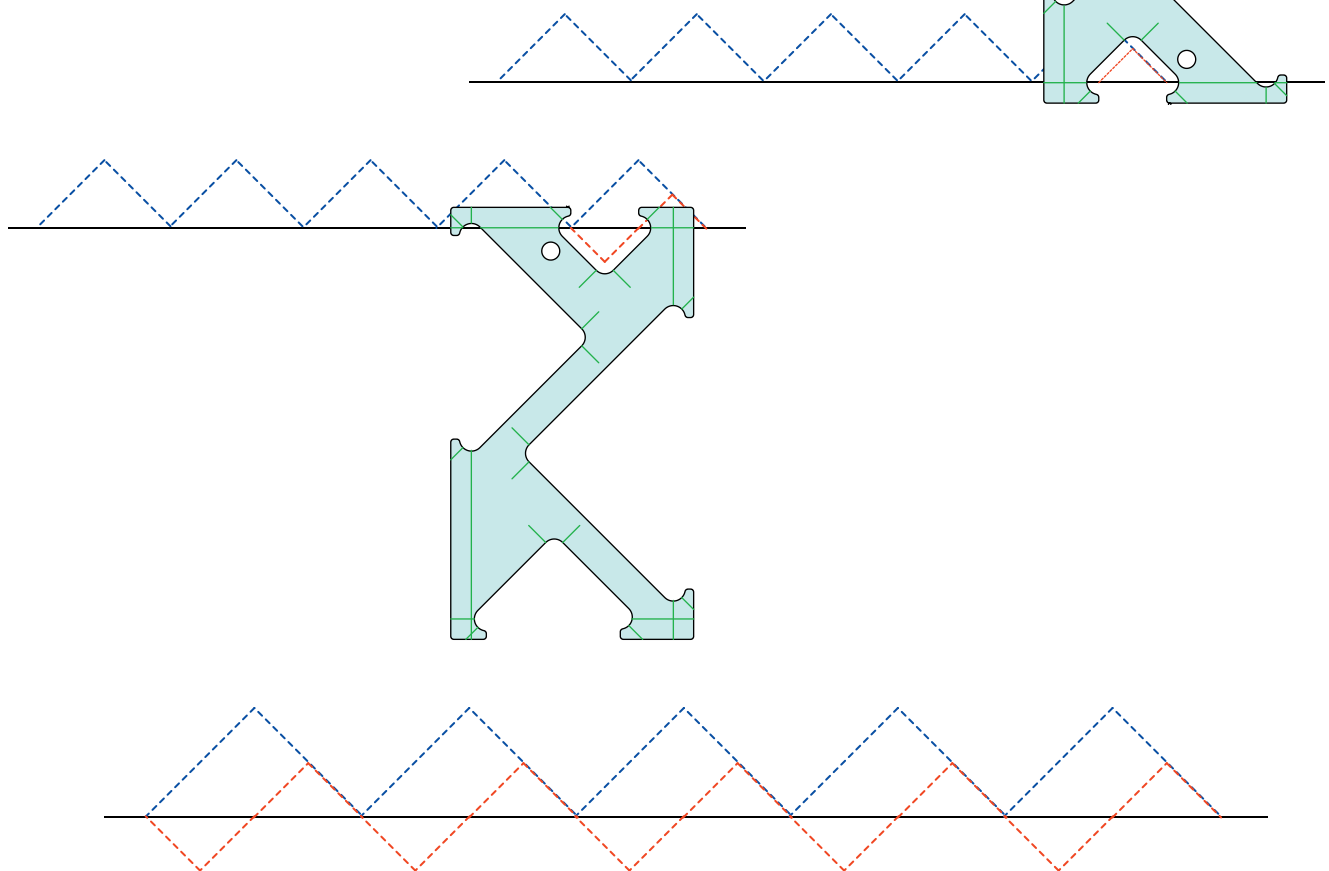
Use two different openings. Note the smaller must fit twice into the larger size. The steps are:

- 1) The larger opening all the way down the line.
- 2) The smallest opening in a "zig zag" pattern. Two small ones should fit inside the large one.

Step 1



Step 2



Complex Design - Mountain Peak

This design uses three openings. Due to the nature of squares, you will be stitching portions of the same line twice. This helps to create the Mountain Peaks look. Start with the largest opening you have chosen (must be either A or B). In the illustration we are showing, we will be using openings B, C, and D. Line up the etched lines on the tool for opening B with your drawn guide line or seam line. Stitch from left to right. Needle down.

Rotate tool to opening C, placing the right hand side of the opening on the foot. Stitch from right to left. Needle down.

Rotate tool to opening D, placing the left hand side of the opening on the foot. Stitch from left to right. Needle down. This completes the first Mountain Peak.

To continue the line of Mountain Peaks, rotate tool to opening B, placing the left hand side of the opening on the foot. Stitch from left to right. Continue until you have completed your border.

